

## Company Overview

## PERC LPG Lawnmower Project



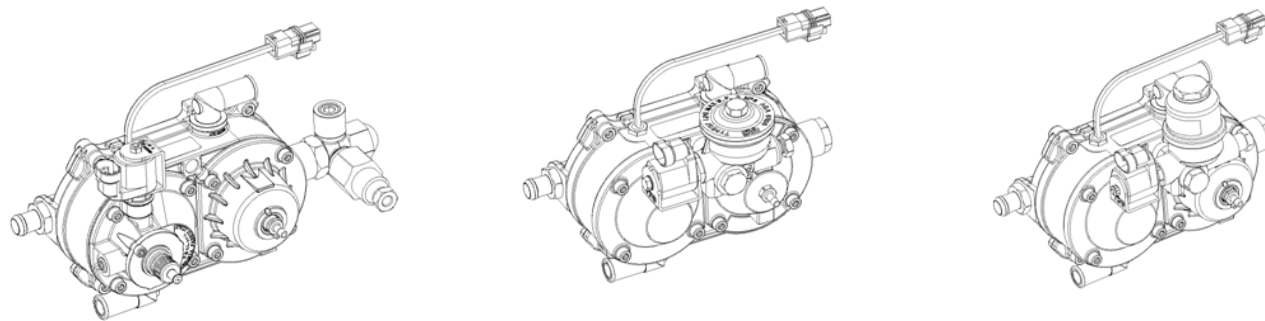
**Tom O'Leary**

**OMVL North American Sales Manager**

## OMVL

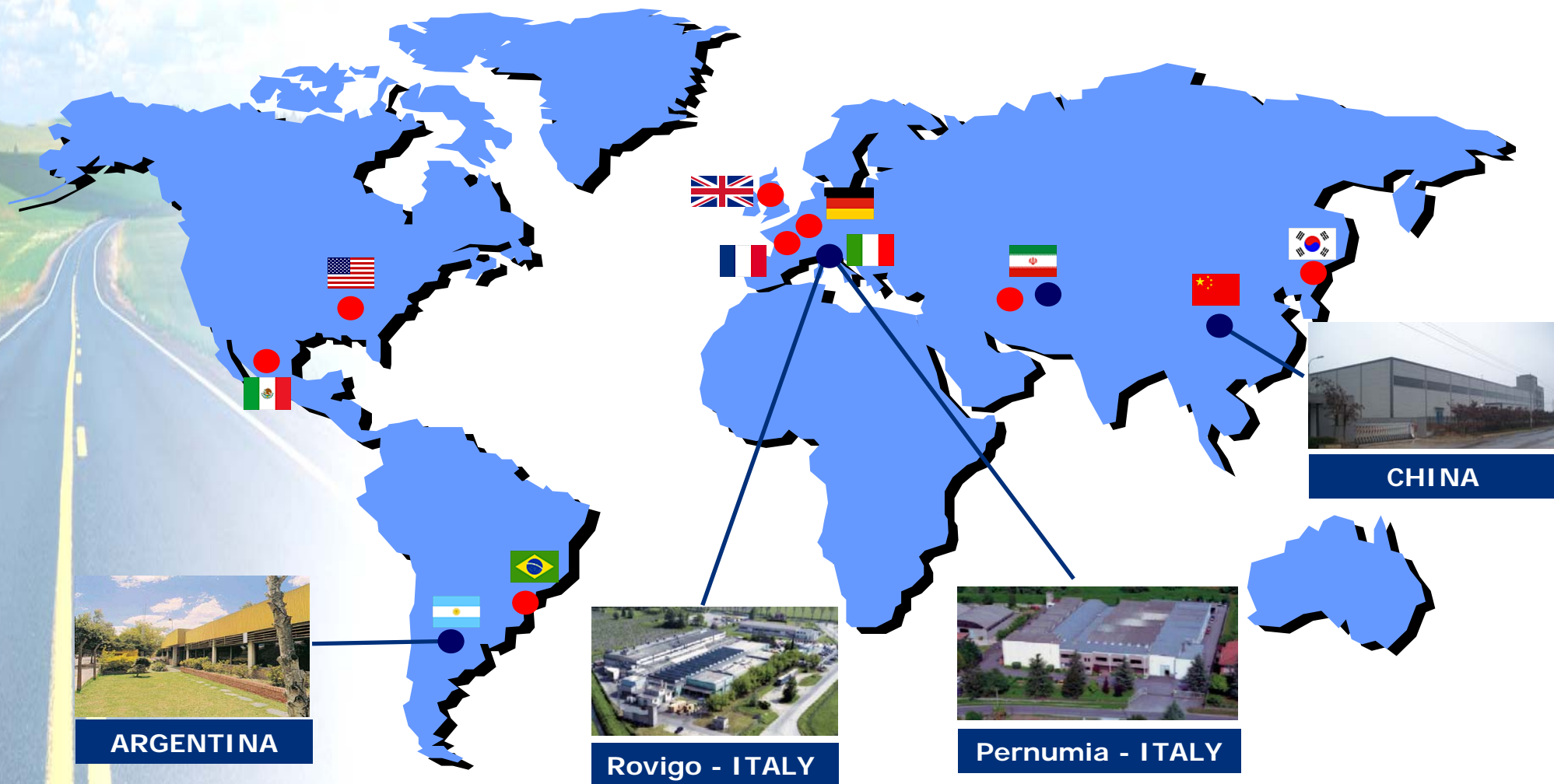
---

**OMVL** is an **SIT Group** company, an Italian multinational company specializing in solutions for safety, monitor and performance of applications ranging from domestic heating to alternative fuel vehicles



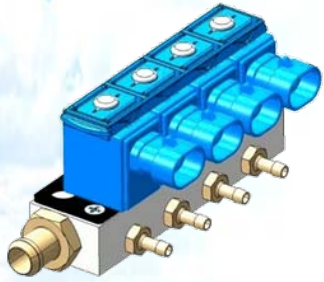
## Corporate Overivew

- Sales office
- Production Facilities

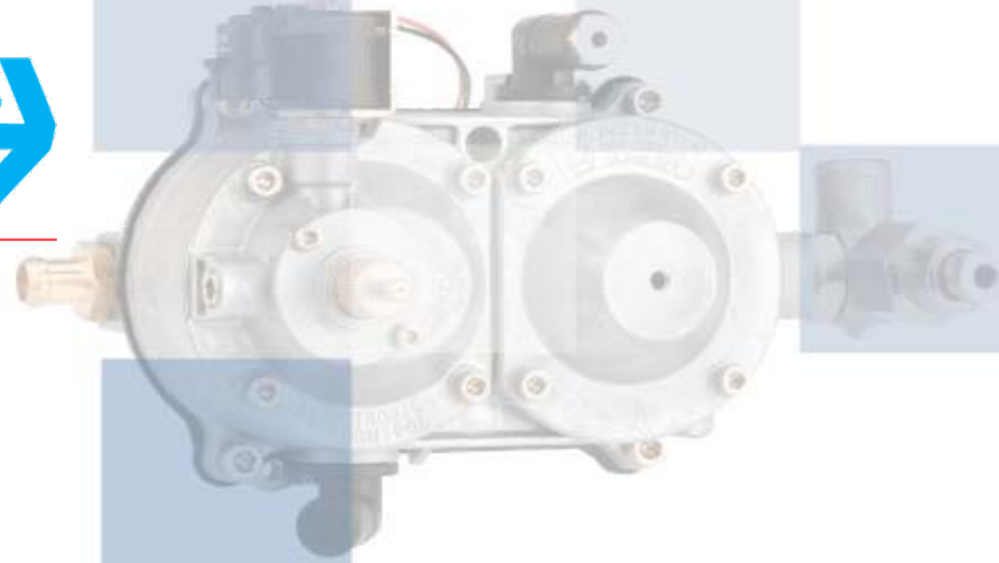


## OMVL Products

---



OMVL designs and manufacturers a complete range of products, marketed under the **REG<sup>®</sup>** brand.



## Project Overview

### LPG Fuel System for Lawnmowers



## Project Overview

---

OMVL was contracted to develop and industrialize an LPG fuel system for lawnmowers

- ➔ *Initial project specification was to achieve EPA 2012  
(Completed utilizing the "Base System")*
- ➔ *Project was modified to achieve EPA Blue Sky  
(Completed utilizing the "Closed Loop System")*

## System Review

---

### Base System

- LPG Pressure Reducer
- Mixer
- Wiring and Hoses

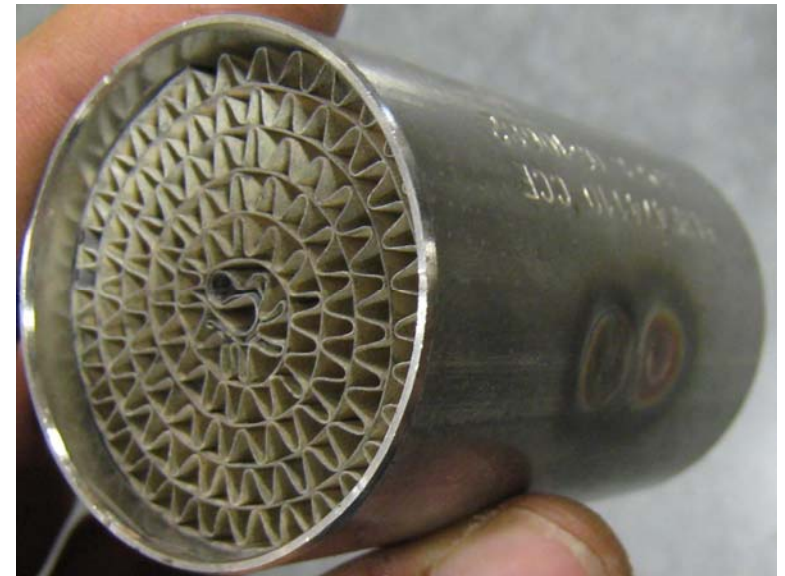


## System Review

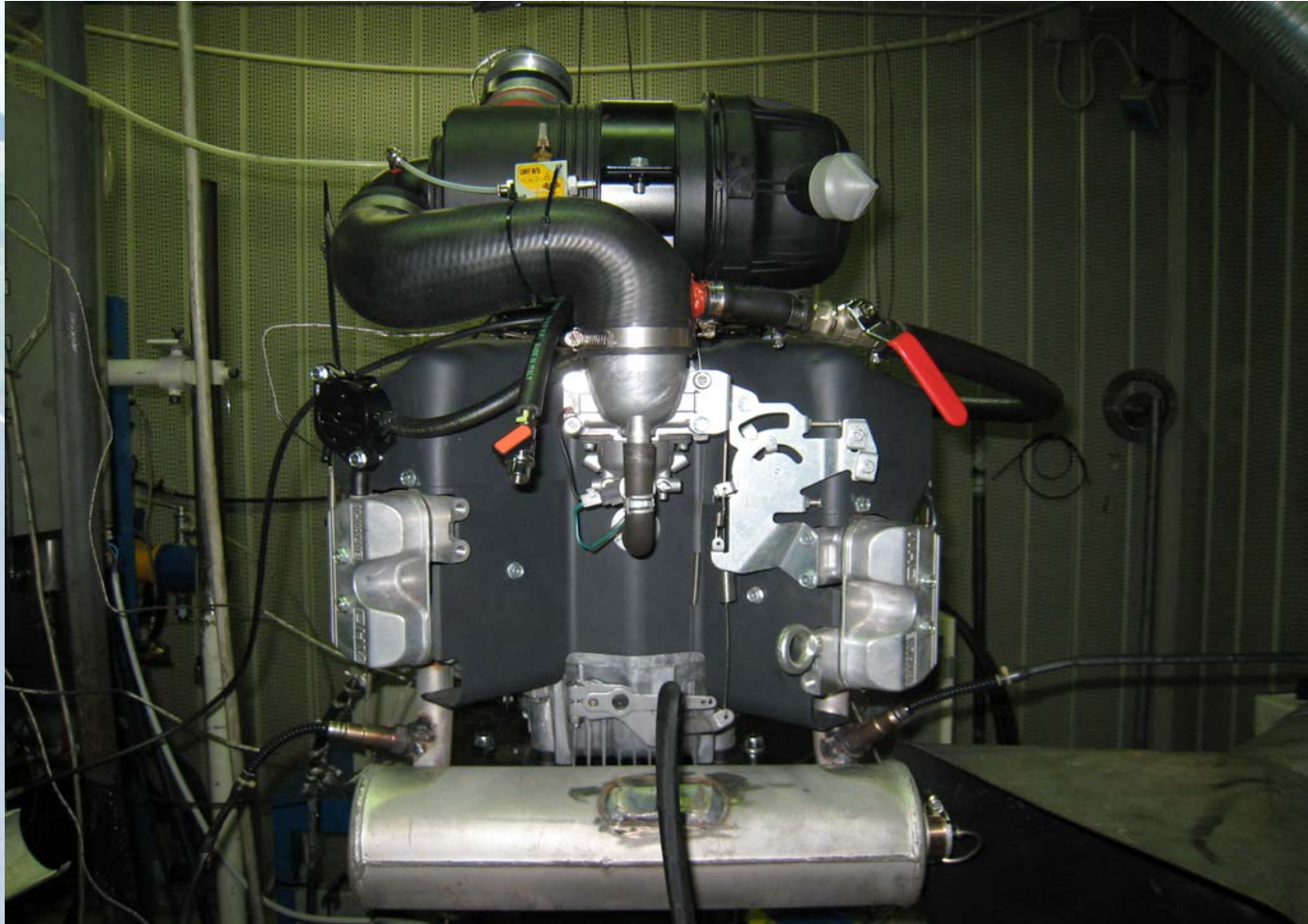
---

### Closed Loop System

- The Base System Plus:
  - Electronic Control Unit
  - Solenoid for Pressure Reducer
  - MAP Sensor
  - Catalyst



## System Review



## System Review





**Engine MOR**  
**Parts Distributor**  
**Field Training**



**Fuel System**  
**Field Training**



**Engine Provider**  
**Field Training**



**LPG Distributor**  
**Parts Distributor**  
**Field Training**